



Powerful Synergies



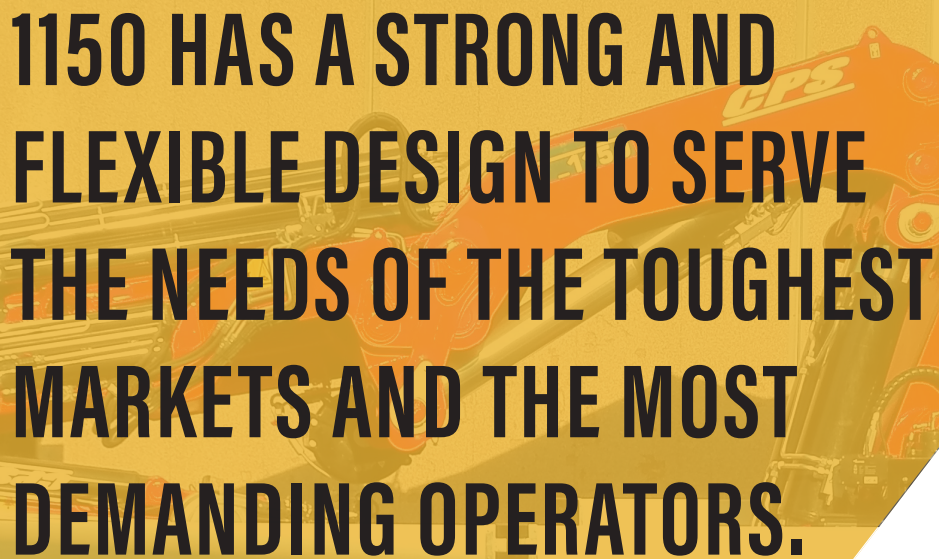
COPMA

1150


**TOP RANGE
MODEL**

COPMA 1150

Performance & Power



1150 HAS A STRONG AND FLEXIBLE DESIGN TO SERVE THE NEEDS OF THE TOUGHEST MARKETS AND THE MOST DEMANDING OPERATORS.

- 
- **TOP RANGE - HEAVY RANGE model, over 115 Ton/Mt**
 - **High tensile strength steel**
 - **Efficient safety system**
 - **Reliability, speed and precision**
 - **Extra long working life cycle**
 - **Easier maintenance operations**





**THE MOST
POWERFUL
CRANE FOR
THE TOUGHEST
MARKETS**

COPMA 1150

More Safety & Security

**DESIGNED WITH THE HIGHEST
HYDRAULIC SYSTEMS AND THE
TOUGHEST STRUCTURAL STEEL
TO PERFORM THE MAXIMUM
LIFTING CAPACITY.**

- **Superior Hydraulic Technology**
- **Dynamic Electronic Controls**
- **High Degree of User Friendliness**
- **Efficiency and Reliability thanks to superior structural features**
- **More Efficiency with advanced electronic controls.**





DESIGNED FOR FLEXIBLE SERVICES



COPMA 1150

Technical Features

**CUTTING EDGE FEATURES
FOR MAXIMUM LIFTING
POWER, STABILITY AND
OPERATIONAL SAFETY IN EVERY
WORKING CONDITION.**

Standard features

- easy use



- control



- structure



optional features

- control



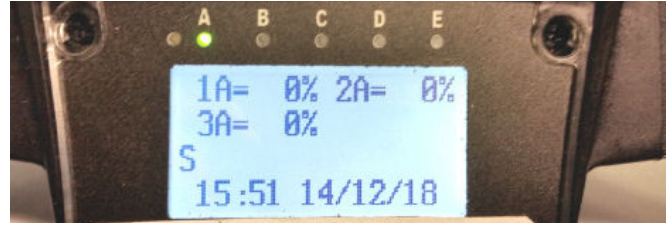
HSE
easy use
High Speed Extension

Hydraulic system for reducing load losses and bottlenecks for the correct output sequence of the extensions by increasing the speed of 30%-60% thanks to the regenerative valve. Greater continuous performance thanks to lower fluid temperature.



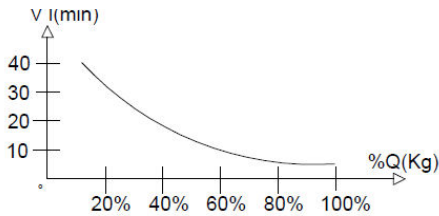
ERD
easy use
Electronic Radio Display

A display on the remote control allows the operator to maintain the total control of all the crane functions in real time by managing the work mode, the stability control, and oversee any maintenance and diagnostic messages.



HPV
E
easy use
High Power Velocity Electronic

A valve electronically manages the flow of oil to the distributor by increasing the load capacity of the crane and intervening on the lifting speed. Allowing the reduction of dynamic effects while optimizing performance.



HLS
2.0
easy use
Hydraulic Lifting Stabilizers 2.0

The stabilizer cylinder is lifted thanks to an auxiliary jack, allowing the vertical movement inside a bush or a rotation around a pin. This easy use system saves time and allows an efficient stabilizer set up.



TAD
control
Transport Alert Device

Sensors on the basement guarantee the correct closing of the beams and a column switch sensor indicates if the crane is in a folded position, no more than 4 Mt in height. The operator is warned with light and sound signals in the truck cabin.



RRC
3.0
control
Radio Remote Control 3.0

Radio control with directly flanged actuation electronics with proportional distribution. The remote control allows operating the crane while constantly monitoring the areas of operation.



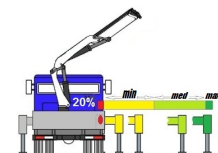
CMS
2.0
control
Crane Monitoring System 2.0

Crane stability control system TES2-TES3 with safety and overload controls and HPVE lifting speed management. Active control on 4-8 working areas according to the model and vehicle stability requirements.



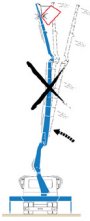
TES
3.0
control
Truck Electronic Stability 3.0

Active stability control for performance optimization according to the type of stabilization to guarantee maximum safety in all working conditions. Mandatory in the CE market, it helps a better vehicle-crane configuration.



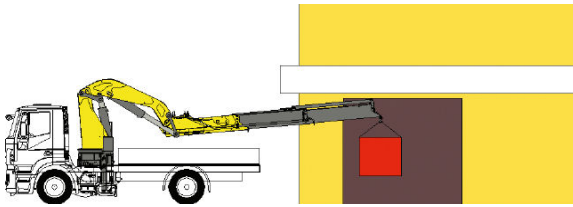
NCS
control
Negative Control System

Slope sensors mounted on the articulated booms of the crane, combined with the electronic control, manage the maximum vertical angle of the arms and the JIB preventing incorrect or dangerous movements by the operator.



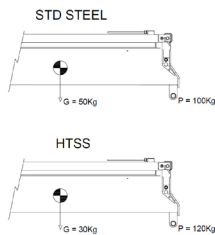
NBS
structure
Negative Boom System

The linkage on the articulation of the secondary boom permits the introduction of loads within restricted spaces. It enables the recovery of the deflection of the extension boom group due to the weight and the load raised on the extensions.



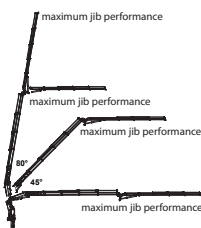
HTSS
structure
High Tensile Strength Steel

The entire high-strength steel structure thanks to an advanced FEM engineering process, develops an extraordinarily light and performing crane structure. In the perfect balance between maximum performance and operational safety.



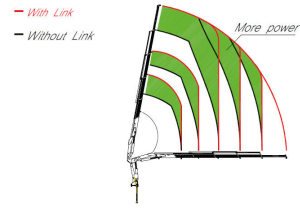
PJM
control
Power Jib Monitoring

The PJM system guarantees to operate with the maximum performance in every working condition thanks to a dynamic variation of the maximum pressure according to the crane arm angles.



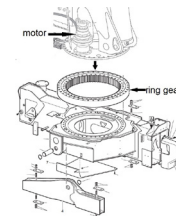
CCLS
structure
Constant Control Link

The cranes equipped with connecting rods on the articulations, with a constant lifting moment over the entire working arc, allow to 100% optimize the crane's capacity in positions close to the maximum vertical.



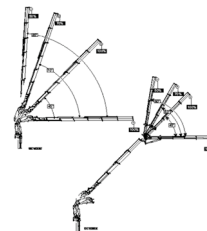
RES 2.0
structure
Rotation Endless System 2.0

Rotating system with bearing and double gearbox, equipped with clearance adjusting system with eccentric shaft. It provides the perfect transmission of the rotation with the bearing.



WLC
control
Winch Linear Control

The winch linear electronic control allows pulling the rope according to the working angle of the crane and the JIB. It optimizes the load control and makes every movement easier and safer.



CMS 3.0
control
Crane Monitoring System 3.0

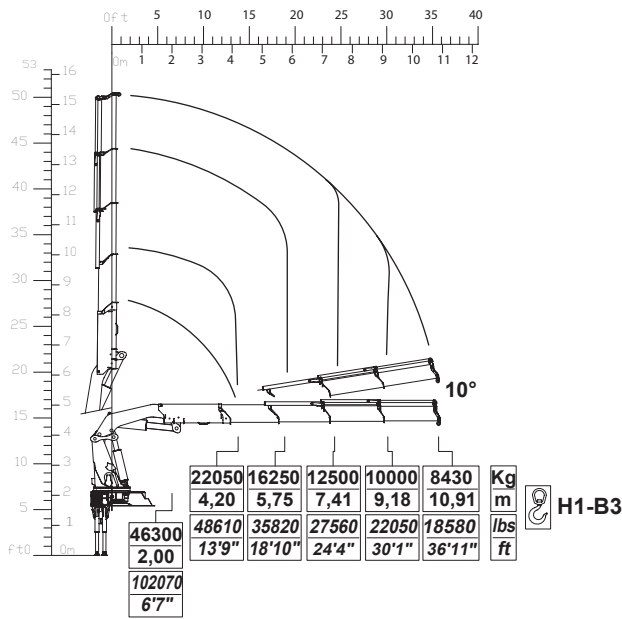
Crane stability control system TES2-TES3, with safety and overload controls medium high-range crane and HPVE lifting speed management. Active control on 4-8 working areas according to the model and vehicle stability requirements.



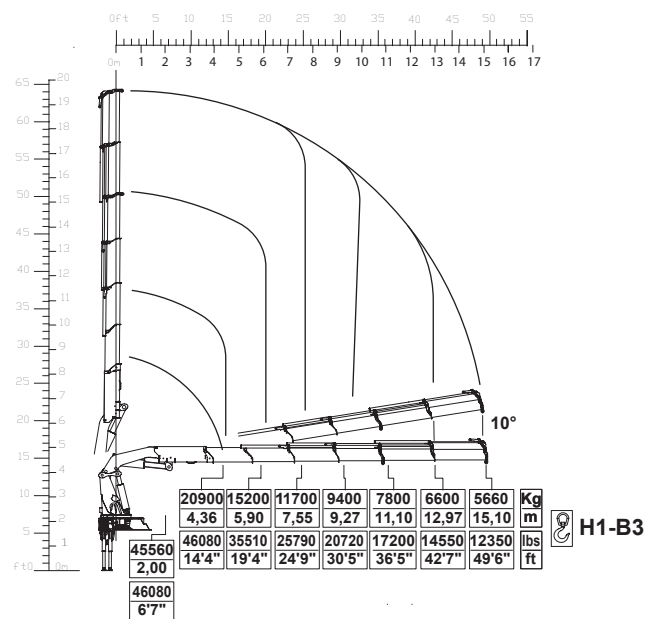
1150 TOP RANGE

Load Charts

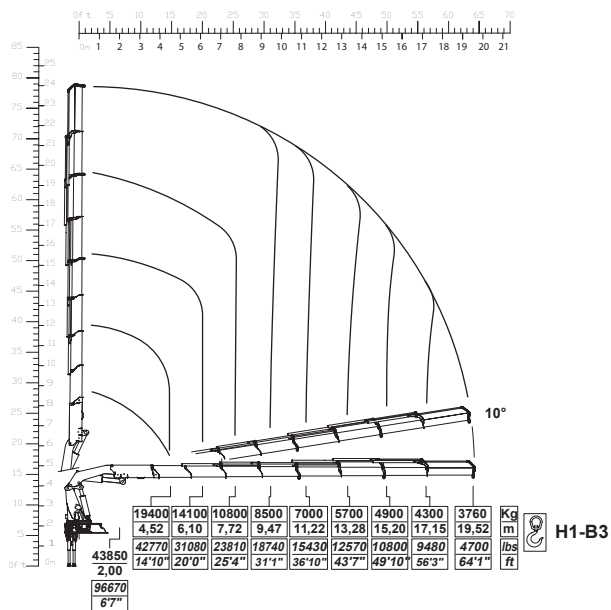
4 extensions



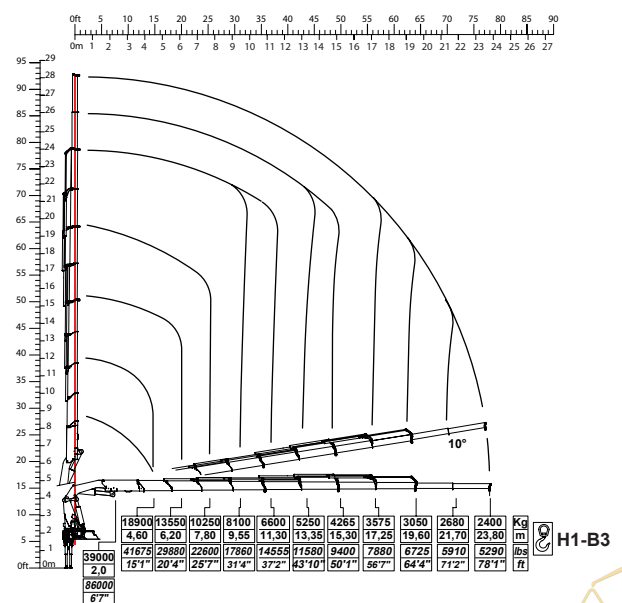
6 extensions



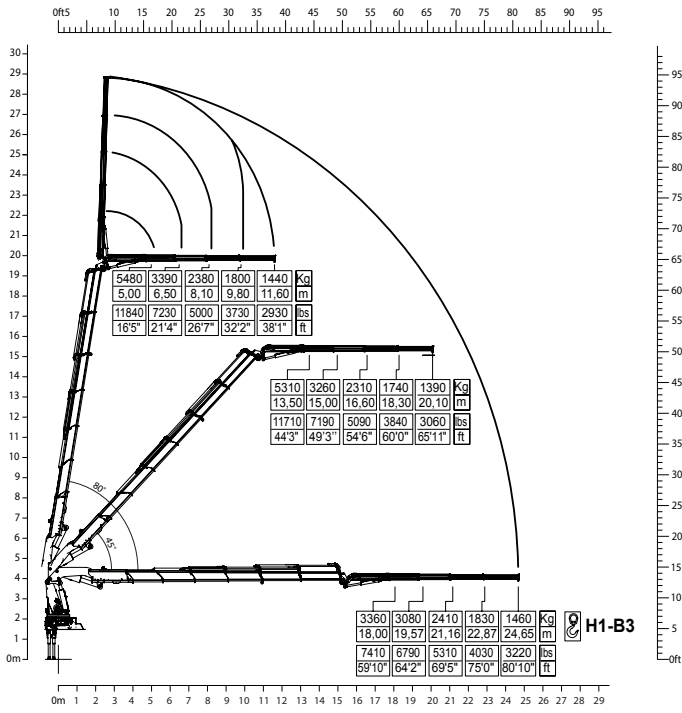
8 extensions



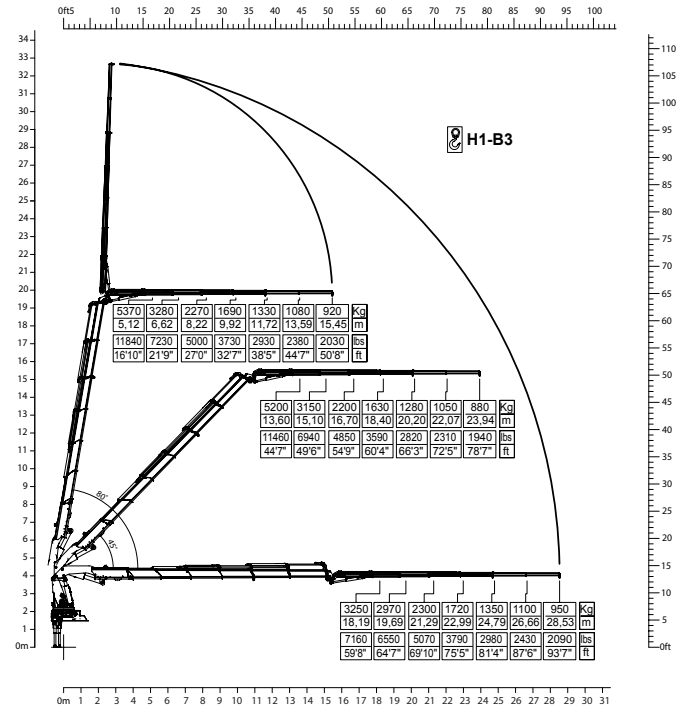
10 extensions



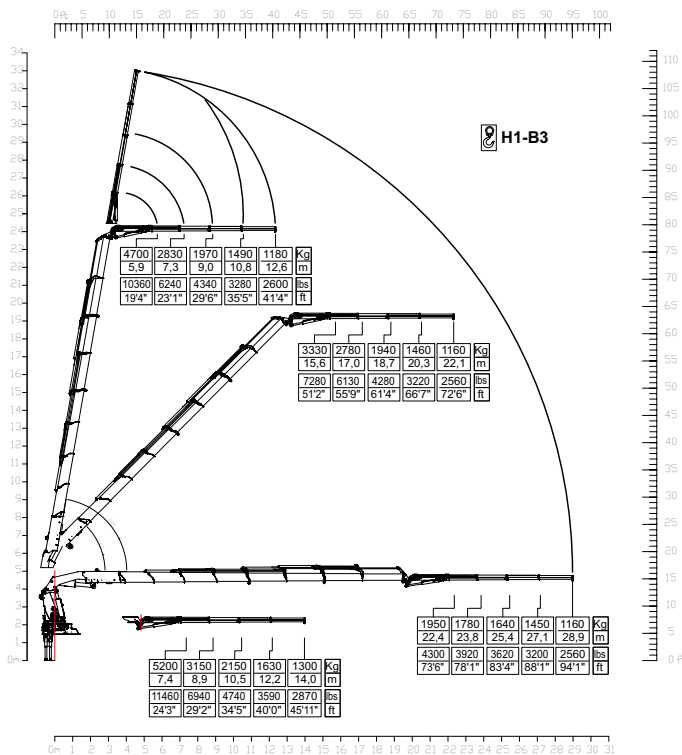
1150.6+J4



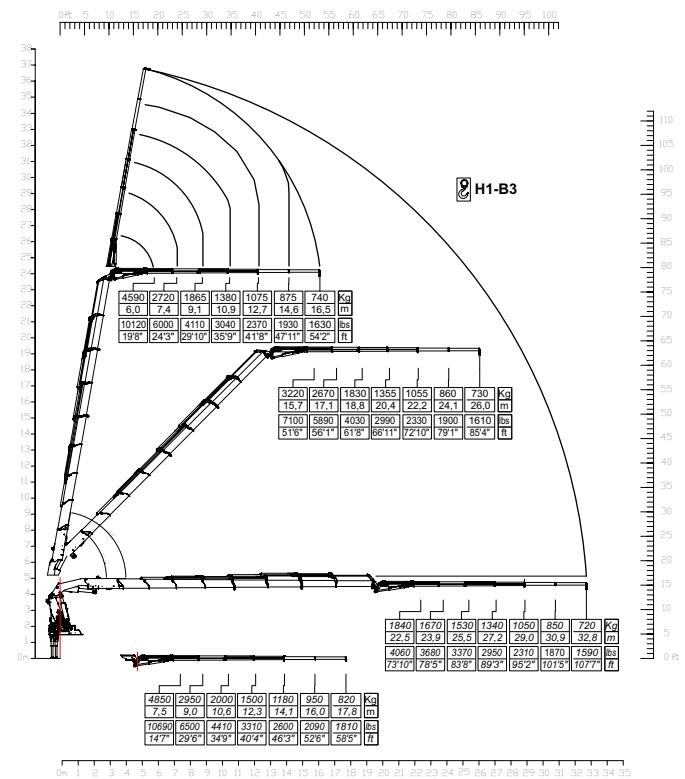
1150.6+J6



1150.8+J4



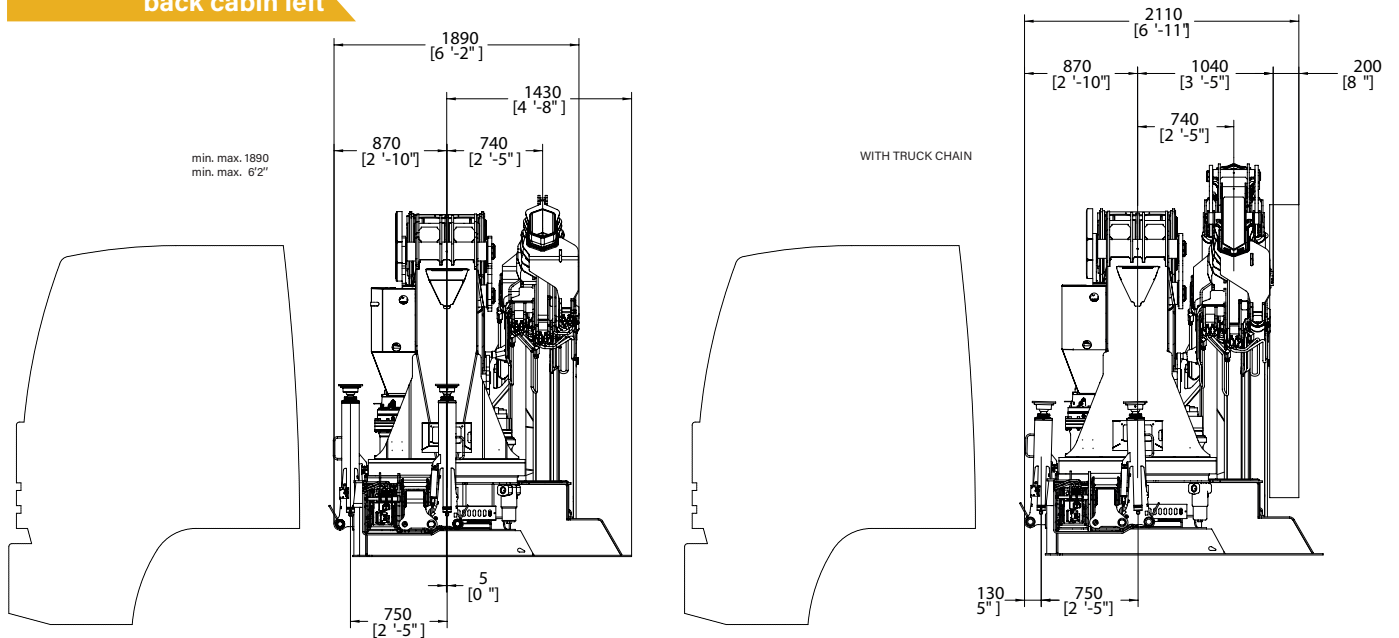
1150.8+J6



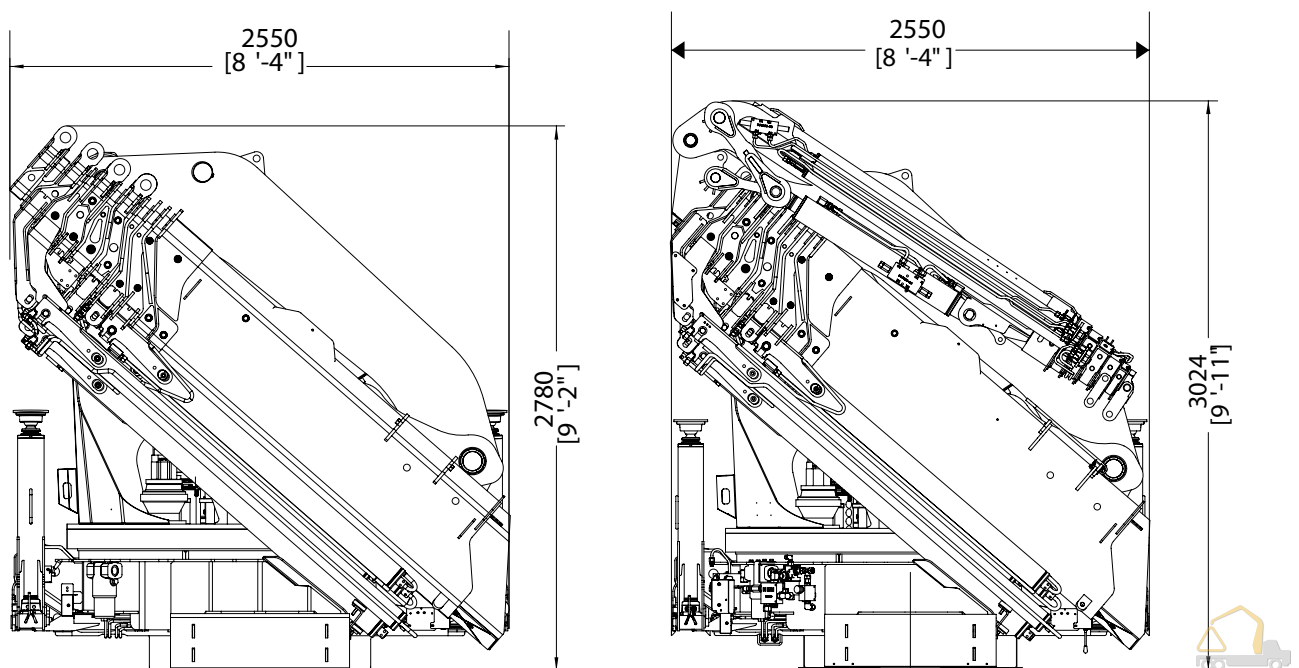
1150 TOP RANGE

Crane Dimensions

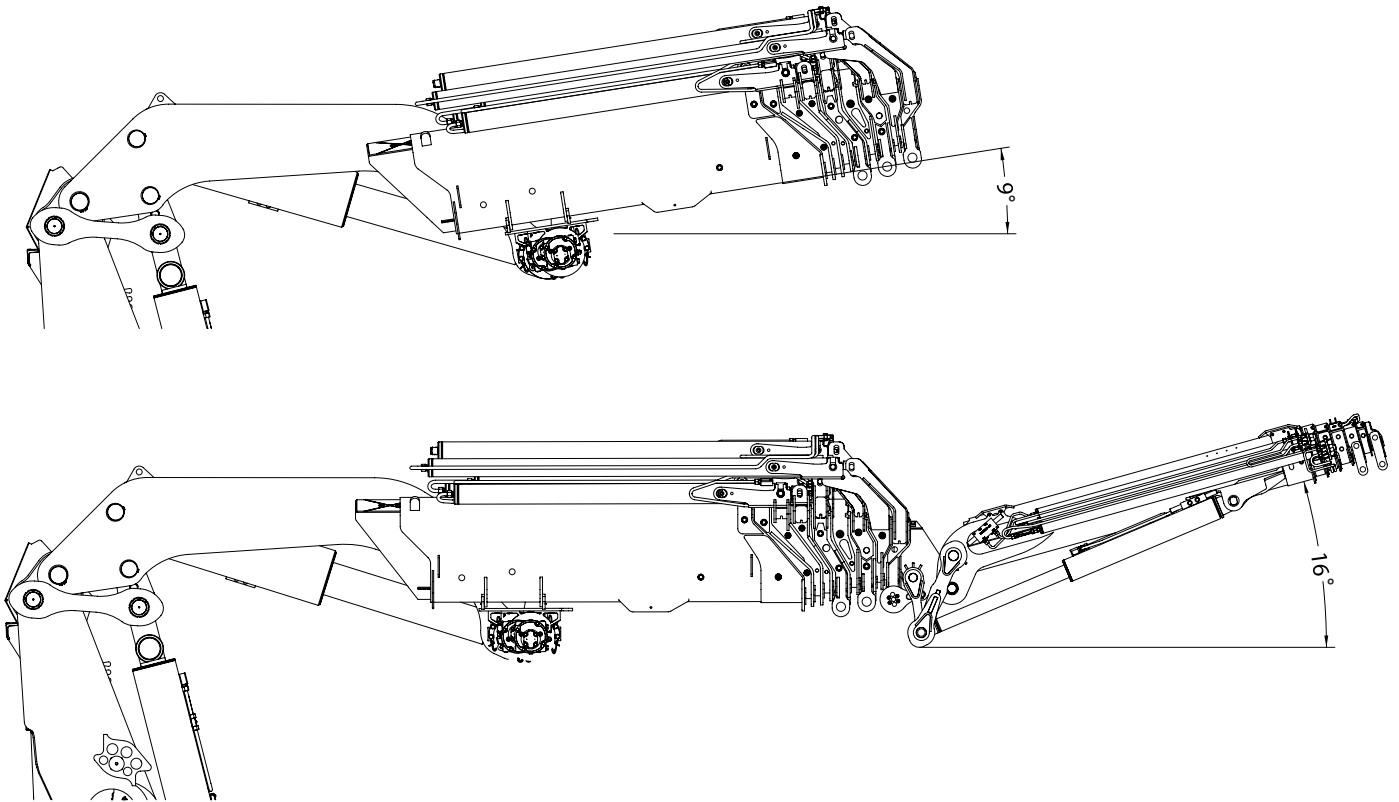
back cabin left



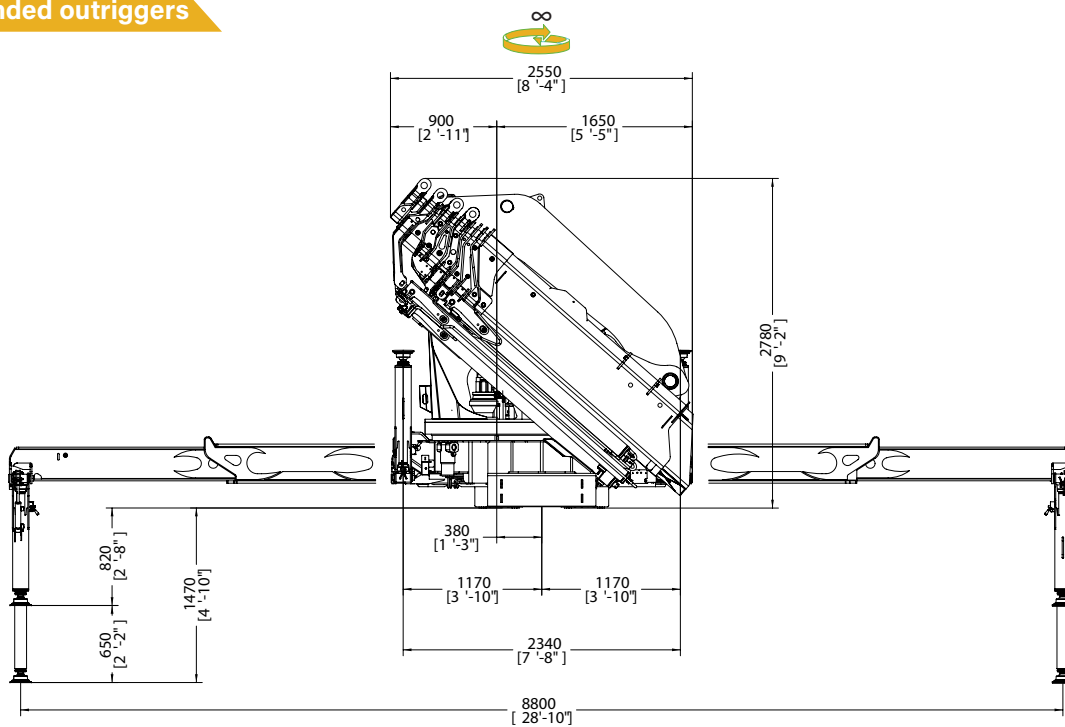
rear truck



operational



extended outriggers












* Note: technical features are not binding, the company reserves itself the right to any modification without notice












1150 TOP RANGE

Technical Data

summarized data

									
	kN.m	bar	l/m	kg	°	mm	mm	mm	mm
1150.4	908	335	110	8680	∞	2530	1890	2653	8800
1150.6	894	335	110	9310	∞	2550	1890	2474	8800
1150.6j4	894	335	110	10100	∞	2550	2110	2998	8800
1150.6j6	894	335	110	10215	∞	2550	2110	2998	8800
1150.8	860	335	110	9740	∞	2550	1890	2710	8800
1150.8j4	860	335	110	10530	∞	2550	2110	3000	8800
1150.8j6	860	335	110	10645	∞	2550	2110	3000	8800
1150.10	853	335	110	9700	∞	2550	1890	2790	8800

									
	lbs.ft	psi	gal/min	lbs	°	ft/inc	ft/inc	ft/inc	ft/inc
1150.4	656756	4858	28,9	19130	∞	8'4"	6'2"	8'8"	28'10"
1150.6	646630	4858	28,9	20525	∞	8'4"	6'2"	8'9"	28'10"
1150.6j4	646630	4858	28,9	22270	∞	8'4"	6'11"	9'11"	28'10"
1150.6j6	646630	4858	28,9	22520	∞	8'4"	6'11"	9'11"	28'10"
1150.8	622038	4858	28,9	21470	∞	8'4"	7'6"	8'11"	28'10"
1150.8j4	622038	4858	28,9	23210	∞	8'4"	6'11"	9'11"	28'10"
1150.8j6	622038	4858	28,9	23461	∞	8'4"	6'11"	9'11"	28'10"
1150.10	616975	4858	28,9	21380	∞	8'4"	6'2"	9'2"	28'10"

technical data

Max. lifting moment	908 kNm	656756 ft.lbs
Max. hydraulic outreach	23.80 m	78'1"
Slewing angle	∞	∞
Slewing torque	9800 kNm	70883 ft.lbs
Stabilizer spread	8.80 mt	28'10"
Fitting space required (min./max)	1.89 m/2,10 m	6'2"/6'11"
Width folded	2,55 m	8'4"
Max. operating pressure	335 bar	4858 psi
Recommended pump capacity	110 l/min	28,9 US gal./min
Dead weight (vers. 4)	8680 kg	19130 lbs

* Note: technical features are not binding, the company reserves itself the right to any modification without notice







GET READY TO A
BETTER LIFTING
EXPERIENCE

COPMA 1150



knuckle
boom
cranes



Powerful Synergies



CPS



**CPS
STEEL**

CPS GROUP S.P.A.

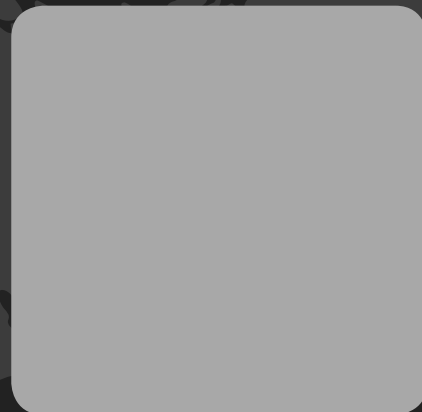
281 Via Emilia , Castel Bolognese (RA) , 48018
Italy

T +39 0546 653 711

sales.cpsgroup@cps-group.com

service.cpsgroup@cps-group.com

cps-group.com



COPMA MODEL 1150 TOP RANGE 6-2019 all rights reserved CPS GROUP

UNICERT
ISO 9001:2008

